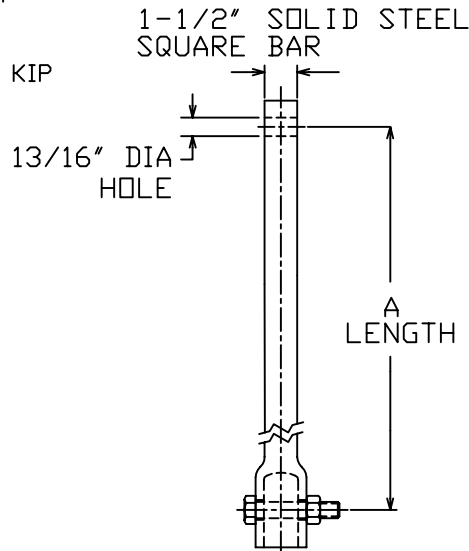


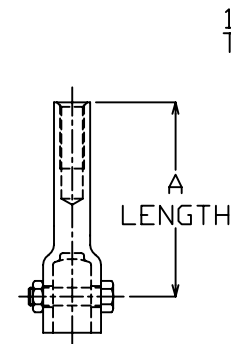
SS150 EXTENSIONS

TORQUE STRENGTH RATING-7,000 FT-LB
 ULTIMATE CAPACITY*(TENSION/COMPRESSION)-70 KIP
 * BASED ON A TORQUE FACTOR (Kt)=10
 SINGLE HELIX ULTIMATE STRENGTH-40 KIP
 ULTIMATE TENSION STRENGTH (COUPLING BOLT)-70 KIP

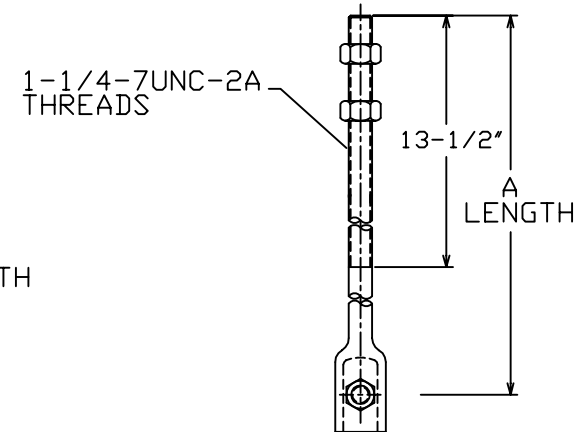
EXTENSION SECTION	
CAT. NO.	A
C150-0144	38'
C150-0145	59'
C150-0146	81'
C150-0175	124'
C150-0032	20'
C114-0009	11'
C110-1078	7'



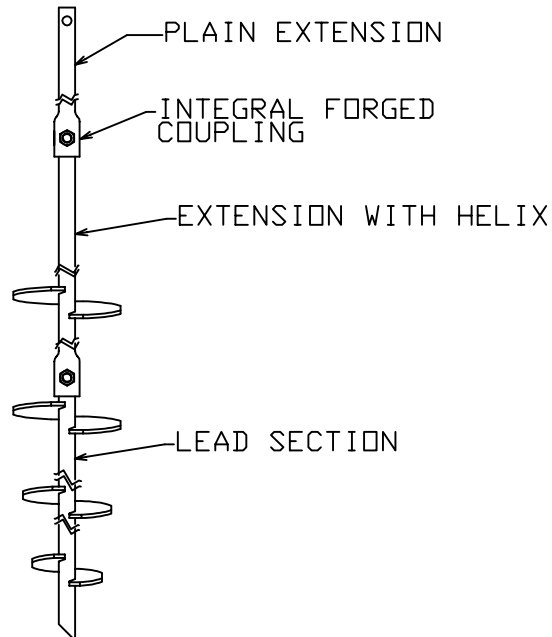
PLAIN
EXTENSION



1" DYWIDAG ADAPTER
 C114-0009 AND C110-1078
 FOR 1-1/2" SHAFT




THREADED ADAPTER
 C150-0032 FOR 1-1/2" SHAFT



TYPICAL ANCHOR/PIER
ASSEMBLY

==NOTES==

- HOT DIP GALVANIZED PER ASTM A153-(LATEST REVISION).
- LEAD AND EXTENSION SECTION LENGTHS AND HELIX SPACINGS ARE NOMINAL.
- SHAFT MATERIAL-HOT ROLLED ROUND-CORNERED-SQUARE (RCS) SOLID STEEL BARS PER ASTM A29; MINIMUM YIELD STRENGTH=90 KSI.
- COUPLING BOLTS: 3/4" DIAMETER X 3" LONG HEX HEAD PER ASTM A325 TYPE 1.
- MANUFACTURER TO HAVE IN EFFECT INDUSTRY RECOGNIZED WRITTEN QUALITY CONTROL FOR ALL MATERIALS AND MANUFACTURING PROCESSES.
- ALL WELDING TO BE DONE BY WELDERS CERTIFIED UNDER SECTION 5 OF THE AWS CODE D1.1.
- REFER TO SA150-10013 FOR LEAD SECTIONS AND HELICAL EXTENSIONS.

CHANCE		 HUBBELL POWER SYSTEMS <small>HUBBELL POWER SYSTEMS, INC.</small>	
<small>CONFIDENTIAL: THIS DRAWING AND ITS CONTENTS ARE CONFIDENTIAL AND THE EXCLUSIVE PROPERTY OF HUBBELL POWER SYSTEMS. NO PUBLICATION, DISTRIBUTION OR COPIES MAY BE MADE WITHOUT THE WRITTEN CONSENT OF HUBBELL POWER SYSTEMS. HUBBELL POWER SYSTEMS UNPUBLISHED ALL RIGHTS RESERVED UNDER THE COPYRIGHT LAWS.</small>		TITLE SS150 EXTENSIONS	
SIZE	DWG NO.	CAT / PART / ASSY NO.	REV
SC	SA150-0144	SEE CHART	C
DO NOT SCALE THIS DRAWING	DRN BY JWH	DATE 6/11/14	SHEET 2/2